

## The Archetype® LED with PicoEmitter®

### FEATURES

- LED PicoEmitter technology
- Efficient, effective downward control of light with full upright cutoff
- IES Type II, III, IV, V, and One-Way L or R distribution patterns
- Easy-access, tool-less latches for lower maintenance



3000K and warmer CCTs only



SITE / AREA

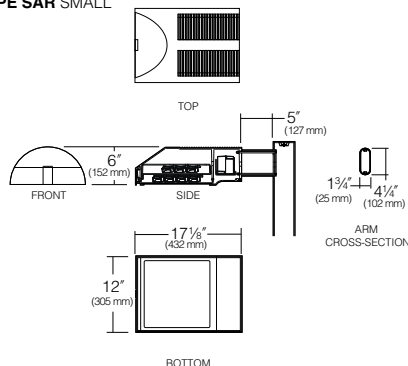
### ORDERING INFORMATION (Example SAR)

<b>1SA</b>	<b>SAR E35</b>	<b>60L4K</b>	<b>##</b>	<b>####</b>	<b>####</b>	<b>####</b>																																							
<b>MOUNTING</b> EPA		<b>FIXTURE FINISH</b>		<b>FIXTURE OPTIONS</b>		<b>POLE / POLE ARM</b>																																							
<b>SAR Small</b> <table border="1"> <tr><td><b>1SA</b></td><td>1 Arm Side Mt.</td><td>0.7</td></tr> <tr><td><b>2SB</b></td><td>2 Arm Side Mt.</td><td>1.4</td></tr> <tr><td><b>2SL</b></td><td>2 Arm Side Mt.</td><td>1.2</td></tr> <tr><td><b>3ST</b></td><td>3 Arm Side Mt.</td><td>1.9</td></tr> <tr><td><b>3SY<sup>1</sup></b></td><td>3 Arm Side Mt.</td><td>1.9</td></tr> <tr><td><b>4SC</b></td><td>4 Arm Side Mt.</td><td>2.5</td></tr> </table> <b>AR Large</b> <table border="1"> <tr><td><b>1A</b></td><td>1 Arm Side Mt.</td><td>1.2</td></tr> <tr><td><b>2B</b></td><td>2 Arm Side Mt.</td><td>2.4</td></tr> <tr><td><b>2L</b></td><td>2 Arm Side Mt.</td><td>2.0</td></tr> <tr><td><b>3T</b></td><td>3 Arm Side Mt.</td><td>3.2</td></tr> <tr><td><b>3Y<sup>1</sup></b></td><td>3 Arm Side Mt.</td><td>3.2</td></tr> <tr><td><b>4C</b></td><td>4 Arm Side Mt.</td><td>3.9</td></tr> <tr><td><b>1W<sup>2</sup></b></td><td>Single Wall Mt.</td><td>n/a</td></tr> </table>		<b>1SA</b>	1 Arm Side Mt.	0.7	<b>2SB</b>	2 Arm Side Mt.	1.4	<b>2SL</b>	2 Arm Side Mt.	1.2	<b>3ST</b>	3 Arm Side Mt.	1.9	<b>3SY<sup>1</sup></b>	3 Arm Side Mt.	1.9	<b>4SC</b>	4 Arm Side Mt.	2.5	<b>1A</b>	1 Arm Side Mt.	1.2	<b>2B</b>	2 Arm Side Mt.	2.4	<b>2L</b>	2 Arm Side Mt.	2.0	<b>3T</b>	3 Arm Side Mt.	3.2	<b>3Y<sup>1</sup></b>	3 Arm Side Mt.	3.2	<b>4C</b>	4 Arm Side Mt.	3.9	<b>1W<sup>2</sup></b>	Single Wall Mt.	n/a	<b>BL</b> Black <b>DB</b> Dark Bronze <b>LG</b> Light Gray <b>TT</b> Titanium <b>PS</b> Platinum Silver <b>WH</b> White <b>CC</b> Custom Color* *Consult representative		<b>A-25</b> AR photocell <b>A-30</b> 120V SAR photocell <b>A-31</b> 208V SAR photocell <b>A-32</b> 240V SAR photocell <b>A-33</b> 277V SAR photocell <b>A-34</b> 480V SAR photocell <b>A-35</b> 347V SAR photocell <b># LS</b> Polycarbonate Lens <sup>5</sup> <b># SF</b> Single Fuse for 120, 277, 347V <b># DF</b> Double Fuse for 208, 240, 480V <b># NFO</b> Neighbor Friendly Optic <b># TL</b> Tamper Resistant Latch <sup>5</sup> <b>SCL</b> Occupancy Sensor up to 16' ht. <b>SCH</b> Occupancy Sensor up to 30' ht.		See Arms & Poles Selection Guide at <a href="http://www.kimlighting.com">www.kimlighting.com</a> for pole EPA & ordering.
<b>1SA</b>	1 Arm Side Mt.	0.7																																											
<b>2SB</b>	2 Arm Side Mt.	1.4																																											
<b>2SL</b>	2 Arm Side Mt.	1.2																																											
<b>3ST</b>	3 Arm Side Mt.	1.9																																											
<b>3SY<sup>1</sup></b>	3 Arm Side Mt.	1.9																																											
<b>4SC</b>	4 Arm Side Mt.	2.5																																											
<b>1A</b>	1 Arm Side Mt.	1.2																																											
<b>2B</b>	2 Arm Side Mt.	2.4																																											
<b>2L</b>	2 Arm Side Mt.	2.0																																											
<b>3T</b>	3 Arm Side Mt.	3.2																																											
<b>3Y<sup>1</sup></b>	3 Arm Side Mt.	3.2																																											
<b>4C</b>	4 Arm Side Mt.	3.9																																											
<b>1W<sup>2</sup></b>	Single Wall Mt.	n/a																																											
<b>NOTE:</b> EPA is for Fixture only		<b>ELECTRICAL MODULE<sup>3</sup></b>				<b>SLIPFITTER MOUNTING OPTIONS</b>																																							
		<table border="1"> <thead> <tr> <th>Source</th> <th>Color Temp.</th> <th>Voltages</th> </tr> </thead> <tbody> <tr> <td><b>60L</b> 60 LEDs, 66W For SAR LED</td> <td><b>2K</b> 580nm</td> <td><b>120</b> 120V</td> </tr> <tr> <td></td> <td><b>3K</b> 3000K</td> <td><b>208</b> 208V</td> </tr> <tr> <td><b>120L</b> 120 LEDs, 130W For AR LED</td> <td><b>4K</b> 4000K</td> <td><b>240</b> 240V</td> </tr> <tr> <td></td> <td><b>5K</b> 5000K</td> <td><b>277</b> 277V</td> </tr> <tr> <td></td> <td></td> <td><b>347</b> 347V<sup>4</sup></td> </tr> <tr> <td></td> <td></td> <td><b>480</b> 480V<sup>4</sup></td> </tr> </tbody> </table>		Source	Color Temp.	Voltages	<b>60L</b> 60 LEDs, 66W For SAR LED	<b>2K</b> 580nm	<b>120</b> 120V		<b>3K</b> 3000K	<b>208</b> 208V	<b>120L</b> 120 LEDs, 130W For AR LED	<b>4K</b> 4000K	<b>240</b> 240V		<b>5K</b> 5000K	<b>277</b> 277V			<b>347</b> 347V <sup>4</sup>			<b>480</b> 480V <sup>4</sup>			<b>VERTICAL</b> 4" Round, Standard Fixtures <b>VSF-1SA</b> 1 fixture side mt. <b>VSF-2SB</b> 2 fixtures side mt. 180° <b>VSF-2SL</b> 2 fixtures side mt. 90° <b>VSF-3ST</b> 3 fixtures side mt. 90° <b>VSF-3SY</b> 3 fixtures side mt. 120° <b>VSF-4SC</b> 4 fixtures side mt. 90° 4" Square, Standard Fixtures <b>SVSF-1SA</b> 1 fixture side mt. <b>SVSF-2SB</b> 2 fixtures side mt. 180° <b>SVSF-2SL</b> 2 fixtures side mt. 90° <b>SVSF-3ST</b> 3 fixtures side mt. 90° <b>SVSF-4SC</b> 4 fixtures side mt. 90°																		
Source	Color Temp.	Voltages																																											
<b>60L</b> 60 LEDs, 66W For SAR LED	<b>2K</b> 580nm	<b>120</b> 120V																																											
	<b>3K</b> 3000K	<b>208</b> 208V																																											
<b>120L</b> 120 LEDs, 130W For AR LED	<b>4K</b> 4000K	<b>240</b> 240V																																											
	<b>5K</b> 5000K	<b>277</b> 277V																																											
		<b>347</b> 347V <sup>4</sup>																																											
		<b>480</b> 480V <sup>4</sup>																																											
<b>FIXTURE</b>						<b>HORIZONTAL</b>																																							
<table border="1"> <thead> <tr> <th colspan="2">Distribution</th> <th>Current</th> </tr> </thead> <tbody> <tr> <td><b>SAR2</b> Type II</td> <td><b>AR2</b> Type II</td> <td><b>E35</b> 350mA PicoEmitter</td> </tr> <tr> <td><b>SAR3</b> Type III</td> <td><b>AR3</b> Type III</td> <td></td> </tr> <tr> <td><b>SAR4</b> Type IV</td> <td><b>AR4</b> Type IV</td> <td></td> </tr> <tr> <td><b>SAR5</b> Type V</td> <td><b>AR5</b> Type V</td> <td></td> </tr> <tr> <td><b>SARR</b> Type R</td> <td><b>ARR</b> Type R</td> <td></td> </tr> <tr> <td><b>SARL</b> Type L</td> <td><b>ARL</b> Type L</td> <td></td> </tr> </tbody> </table>		Distribution		Current	<b>SAR2</b> Type II	<b>AR2</b> Type II	<b>E35</b> 350mA PicoEmitter	<b>SAR3</b> Type III	<b>AR3</b> Type III		<b>SAR4</b> Type IV	<b>AR4</b> Type IV		<b>SAR5</b> Type V	<b>AR5</b> Type V		<b>SARR</b> Type R	<b>ARR</b> Type R		<b>SARL</b> Type L	<b>ARL</b> Type L						<b>HSF</b> for Pole Davit Arm																		
Distribution		Current																																											
<b>SAR2</b> Type II	<b>AR2</b> Type II	<b>E35</b> 350mA PicoEmitter																																											
<b>SAR3</b> Type III	<b>AR3</b> Type III																																												
<b>SAR4</b> Type IV	<b>AR4</b> Type IV																																												
<b>SAR5</b> Type V	<b>AR5</b> Type V																																												
<b>SARR</b> Type R	<b>ARR</b> Type R																																												
<b>SARL</b> Type L	<b>ARL</b> Type L																																												

<sup>1</sup> 3Y only available on round slipfitter.  
<sup>2</sup> Junction box in wall must provide adequate fixture support.  
<sup>3</sup> Driver has a 0-10V dimming interface with a dimming range of 10-100%. Compatible with most control systems.  
<sup>4</sup> Due to current unavailability of 347V and 480V drivers, specification of these voltages may feature an integral step-down transformer.  
<sup>5</sup> Required only for vandal protection in locations where fixtures can be reached by unauthorized persons.

**Note:** HID to LED Upgrade Kits available. Contact factory. Consult DLC Website for current qualified product listings.

### THE ARCHETYPE SAR SMALL



### THE ARCHETYPE AR LARGE

